

1 2 3 4 5 6 7 8

A

A

B

B

C

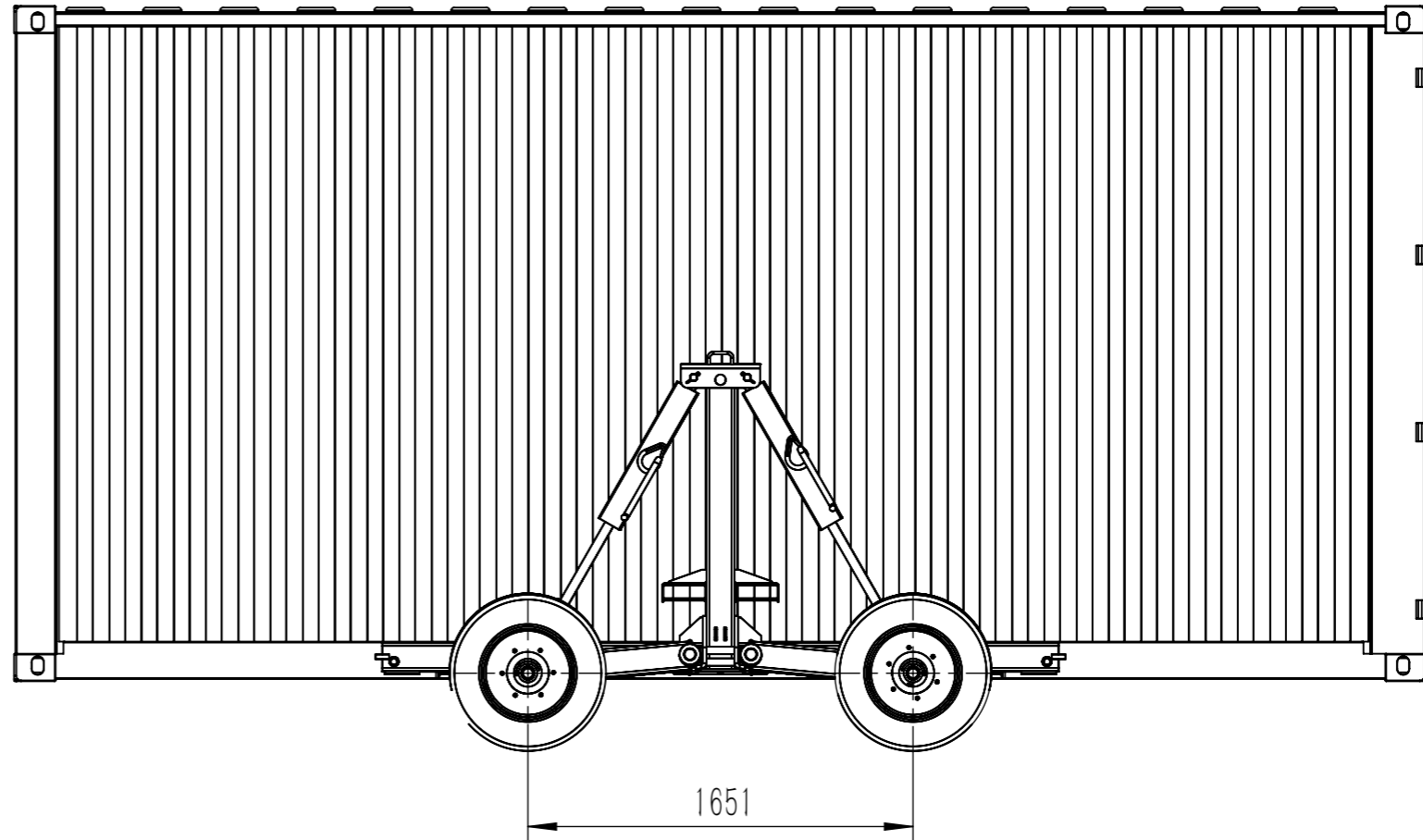
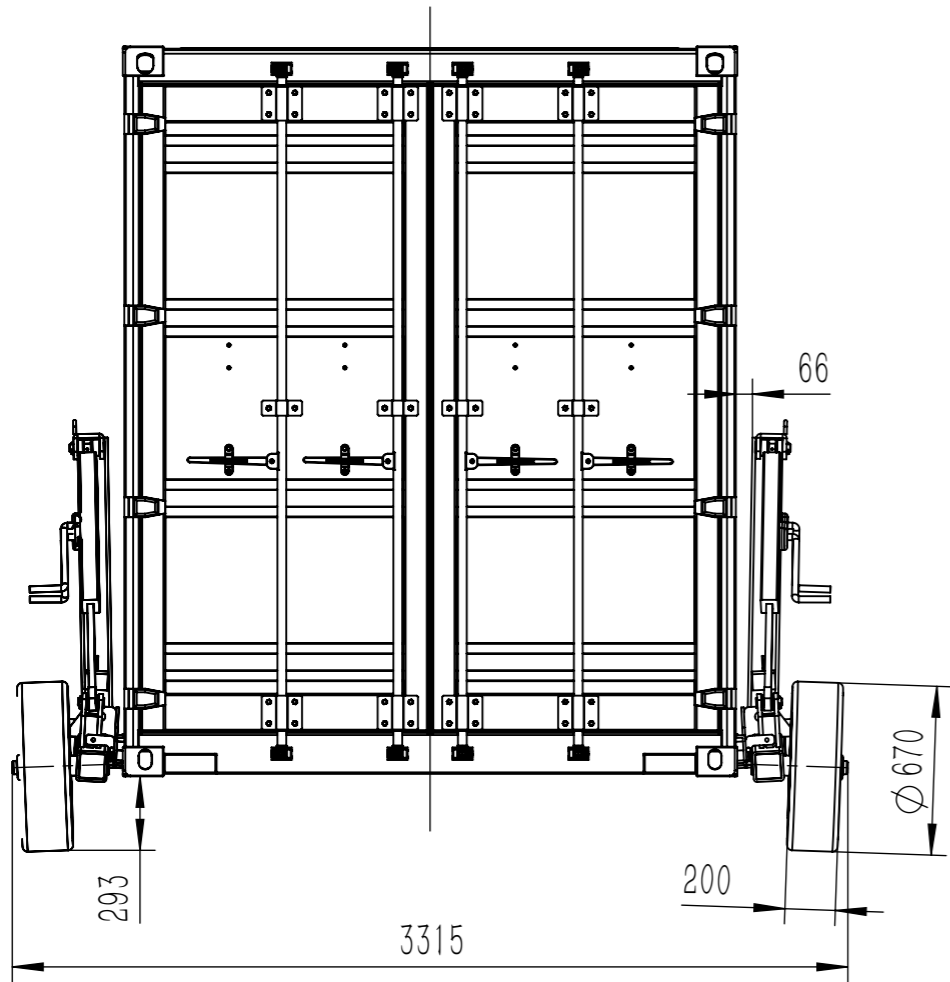
C

D

D

E

F



	SIGNATURE	DATE	
DRAWN	Carey	2024-07-03	
CHECKED			
ENG.APPR			
MFG.APPR			
Q.A			MATERIAL:
DO NOT SCALE DRAWING		WEIGHT(KG): 2240.100	SCALE 1:100



Width of jackwheel

JK-T

A3
A

DWG.NO

SHEET OF

1

2

3

4

5